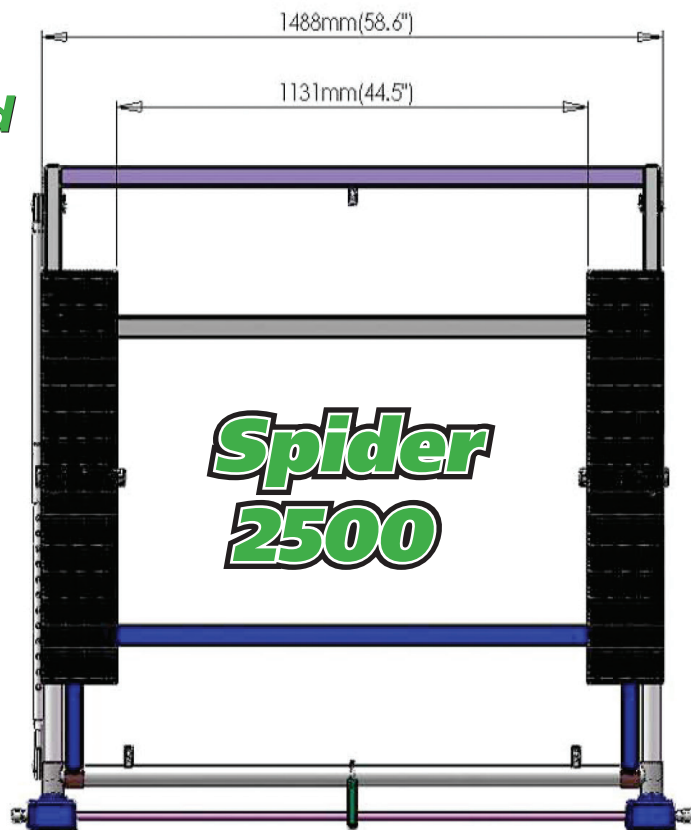




The NEW Self-Powered Mini Scissor Lift

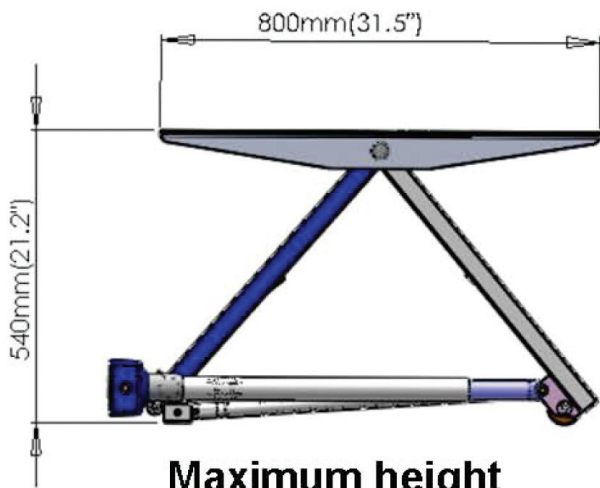


Use It Practically Anywhere...
Mixer Drill or Hand-Cranked - Easy!!!

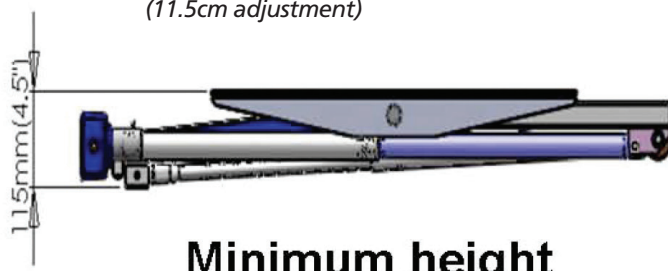


Platforms fully closed

Minimum Internal Width : 114.5cm • Maximum Internal Width: 126cm
Minimum External Width : 150.5cm • Maximum External Width: 162cm
(11.5cm adjustment)



Maximum height



Minimum height

The Spider 2500 adopts a worm gear structure. Unlike conventional hydraulic models, it applies leverage using bevel gears, worm gears and shafts to transmit power so that it is safe to use. **It can be operated with a crank or a drill.** It offers a wide range of uses. It can be used in your home garage, by car dealers, by tyre shops for changing tyres – and for detailing work too...

It can be picked-up and carried to the work area by one person of average strength, and then fixed to the wall after use for space-saving...

For personal use, it can safely lift the car so that the 4 tyres will not touch the ground. (You can also perform this lift to avoid tyre damage – when you're away for extended periods...)

Car dealers can use it to protect four tyres of their cars from deformation when pre-delivery is delayed.

Features:

1. Wide platforms (18cm) can be adjusted to fit most cars...
2. Simple and rapid to use – with a mixer drill or a crank.
3. Does not take up much space in the garage. It can be fixed to the wall.
4. Ideal for changing tyres, brakes, brake fluid and bodywork detailing & painting.
5. Easy to transport with 3 added rotatable wheels.
6. New: Over-Extension Preventer - for added safety...

Size: 163 cm x 129 cm x 11.5 cm
Maximum lifting height: 54 cm
Minimum lifting height: 11.5 cm
Maximum lifting capacity: 2,500 kgs (5,500 pounds).

"CE" Approved - your assurance of quality and safety.
Tested to Australian standards (up to 1800kgs) for static support & deformation. Warranty: One Year



TESTED & DEVELOPED IN AUSTRALIA

1300 79 LIFT
(02) 9743-9355
Mob: 0413 29 3318
or

www.herohoists.com.au